

## GENERAL CONSTRUCTION NOTES:

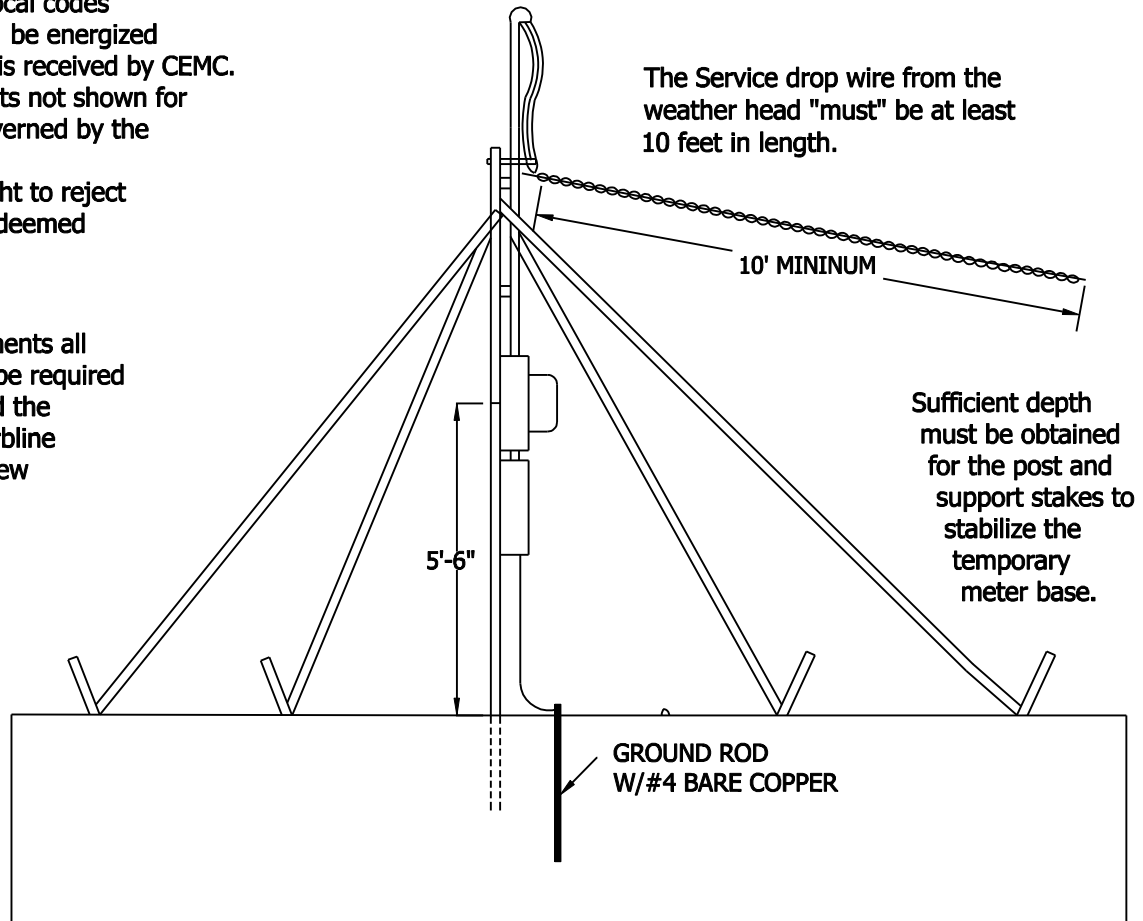
- 1) The CEMC engineer will spot the temporary location upon request.
- 2) The temporary service is not to exceed 50 feet from the existing CEMC pole.
- 3) No temporary service will be attached to an existing CEMC pole or tree.
- 4) Service to temporary is subject to inspection by the local codes inspector and will not be energized until the final release is received by CEMC.
- 5) All other requirements not shown for installation will be governed by the NEC inspectors.
- 6) CEMC retains the right to reject any temporary if it is deemed unacceptable.

NOTE: In new developments all temporary services will be required to be setback 30' behind the existing or proposed curbline to avoid conflicts with new poles and anchors.

The minimum height of the attachment point should provide the following service drop clearances:

- In general 12 feet
- Driveways 16.5 feet
- Roads 18 feet

At no time shall the height of the attachment be less than 12 feet above ground level. The weather head must be above the point of service drop attachment. The point of attachment must be a thru bolt, no screw knobs allowed.



### IMPORTANT NOTE:

DO NOT RELOCATE TEMPORARY AFTER SERVICE HAS BEEN ENERGIZED

CUMBERLAND ELECTRIC  
MEMBERSHIP CORPORATION.

CLARKSVILLE, TN

GUIDELINES FOR  
OVERHEAD TEMPORARY  
SERVICES